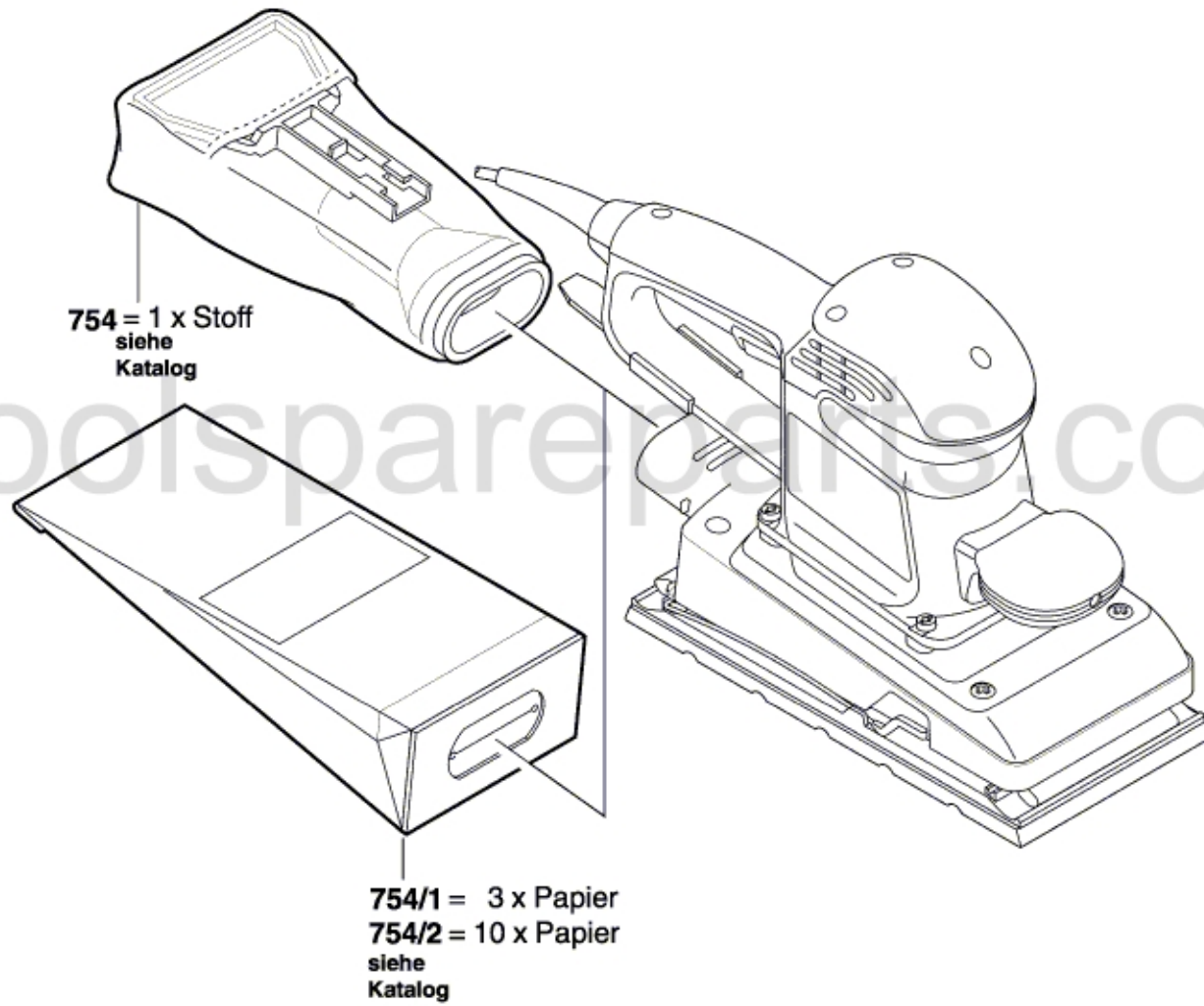


0 601 293 003

Stand | 99-10
Issue | 03-02-07

Fig./Abb. 2



toolspareparts.com.au

Änderungen vorbehalten
Modifications reserved
Modifications reserves
Salvo modificaciones

